

C.I.P.

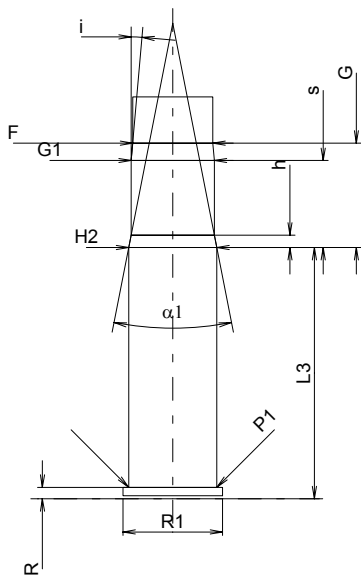
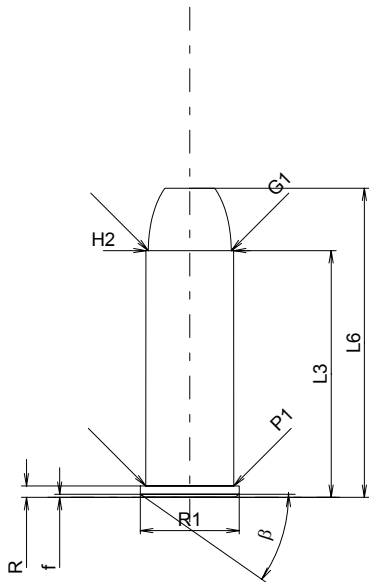
44 Rem. Mag.

Country of Origin: US

TAB. IV

Date 86-12-14

Revision 00-06-07



Scale 1:1

Dimensions in << mm >>
Dimensions and Tolerances for Proof Barrels
see Appendix CR 1.

CARTRIDGE MAXI

Lengths

| | | |
|------------------|---|-------|
| L1 | = | |
| L2 | = | |
| L3 ¹⁾ | = | 32.64 |
| L4 | = | |
| L5 | = | |
| L6 | = | 40.89 |

Case Head

| | | | |
|-----------------|---|-------|-------|
| R ¹⁾ | = | 1.52 | -0.25 |
| R1 | = | 13.06 | |
| R3 | = | | |
| E | = | | |
| E1 | = | | |
| e min | = | | |
| δ | = | | |
| f | = | 0.40 | |
| β | = | 35° | |

Powder Chamber

| | | |
|----|---|-------|
| P1 | = | 11.61 |
| P2 | = | |

Junction Cone

| | | |
|----------|---|--|
| α | = | |
| S | = | |
| r1 min | = | |
| r2 | = | |

Collar

| | | |
|------------------|---|-------|
| H1 | = | |
| H2 ¹⁾ | = | 11.58 |

Projectile

| | | |
|--------------------|---|-------|
| G1 ¹⁾ | = | 10.97 |
| G2 | = | |
| F | = | |
| L3+G ¹⁾ | = | 46.44 |

Pressures (Energies)

Method Transducer

| | | |
|------|---|----------|
| Pmax | = | 2800 bar |
| PK | = | 3220 bar |
| PE | = | 3640 bar |
| M | = | 17.50 |

Miscellaneous Dimensions

| | | |
|------------------|---|------|
| Fe ¹⁾ | = | 0.25 |
| delta L | = | |

CHAMBER MINI

Lengths

| | | |
|------------------|---|-------|
| L1 | = | |
| L2 | = | |
| L3 ¹⁾ | = | 33.23 |

Breech

| | | |
|-----------------|---|-------|
| R ¹⁾ | = | 1.52 |
| R1 | = | 13.18 |
| R2 | = | |
| R3 | = | |
| r | = | |

Powder Chamber

| | | |
|------------------|---|-------|
| E | = | |
| P1 ¹⁾ | = | 11.66 |
| P2 | = | |

Junction Cone

| | | |
|----------|---|--|
| α | = | |
| S | = | |
| r1 max | = | |
| r2 | = | |

Collar

| | | |
|------------------|---|-------|
| H1 | = | |
| H2 ¹⁾ | = | 11.63 |

Commencement of Rifling

| | | |
|-------------------|---|--------|
| G1 ^{1)*} | = | 10.99 |
| G ¹⁾ | = | 13.80 |
| α_1^* | = | 22°12' |
| h | = | 1.63 |
| s | = | 11.51 |
| j ^{1)*} | = | 5° |
| w | = | |

Barrel

| | | |
|------------------|---|-------|
| F ^{1)*} | = | 10.59 |
| Z ¹⁾ | = | 10.90 |

Grooves

| | | |
|---|---|-----------------------|
| b | = | 2.73 |
| N | = | 6 |
| u | = | 508.00 |
| Q | = | 90.65 mm ² |

Notes: 1) Check for safety reasons
* Basic dimensions